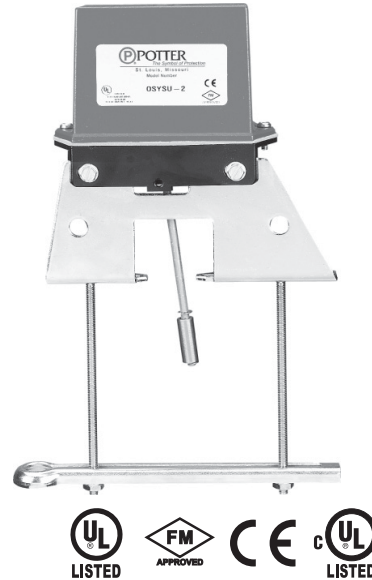


## Valve Supervisory Switch - Outside Screw and Yoke (OS&Y) Valves

### OSYSU

#### Technical Features

- **Dimensions** : 157mm (6.19") Width x 57mm (2.25") Depth x 146mm (5.88") Height
- **Enclosure** : Cover - Die-cast with red spatter enamel finish  
Base - Die cast Zinc
- **Switch Contacts** : Available with one or two contact sets of Single Pole Double Throw (SPDT) Form C switch contacts. 15.0 A @ 125/250VAC and 2.5 A @ 30VDC
- **Conduit Entrance** : Two conduit entrances provided for DN15 / 1/2" conduit
- **Environmental Specifications** : Indoor or outdoor use ; Temperature Range : -40°C (-40°F) to 60°C (140°F) ; NEMA 4 and NEMA 6P/IP67 Rated Enclosure - when used with proper conduit fittings. (Not for use in hazardous locations)
- **Tamper Protection** : Cover incorporates tamper resistant fasteners that require a special key for removal (reference : VSR-FKEY). One key is supplied with each device. A field installable cover tamper switch is available as an option which may be used to indicate unauthorized removal of cover.



#### Valve Supervisory Switch - OSYSU Physical Data

Reference	SPDT Contact Set(s)
OSYSU1	1
OSYSU2	2

#### Valve Supervisory Switch - OSYSU

#### Application Data

Fits most Outside Screw & Yoke (OS&Y) gate valves DN50 (2") to DN300 (12"). Will mount on some OS&Y valves as small as DN15 (1/2").

Refer to the manufacturer's datasheet for detailed mounting instructions.

